

MODELS PT-46 and PT-48

SPECIFICATIONS

Models PT-46 and PT-48 are five tube electric push-button tuning superheterodyne radios with a manual tuning range covering 540 to 1580 K. C. In addition a loop aerial is built into the cabinet for portable use. Aerial connections are also provided on the rear of the cabinet for an external aerial. If an outside aerial is necessary, the Philco Utility aerial, Part No. 40-6384 is recommended.

Six electric push-buttons are provided on these models. Five of the push-buttons are used for stations and one push-button for selecting dial tuning. The push-buttons cover a frequency range as follows: 540 to 1580 kilocycles.

The procedure for adjusting and operating the electric push-buttons will be found on page 10.

These models are similar with the exception of the cabinets.

The circuit diagram and part list shown below applies to both models.

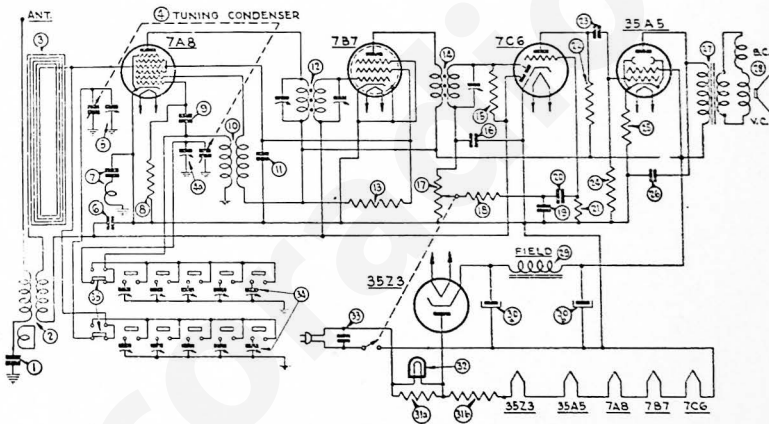
INTERMEDIATE FREQUENCY: 455 K. C.

POWER SUPPLY: Operates on either a 115 volt alternating current (A. C.) or 115 volt direct current (D. C.) power supply.

Note—If no sound is heard on D. C. circuits, after the tubes are sufficiently heated, reverse the plug in the power outlet. If a slight hum is heard when operating on an A. C. power supply, the power plug should also be reversed.

PHILCO TUBES USED: One 7A8, converter; one 7B7, I. F. amplifier; one 7C6, 2nd detector, 1st audio, A. V. C.; one 35A5, audio output and one 35Z3, rectifier.

ALIGNING PROCEDURE: The instructions for adjusting the R. F. and I. F. compensators will be found on page 8.



REPLACEMENT PARTS

SCHE. No.	DESCRIPTION	PART No.	SCHE. No.	DESCRIPTION	PART No.	SCHE. No.	DESCRIPTION	PART No.
1	Tubular Condenser (.0015 mf., 200 v.)	30-4555	24	Resistor (470,000 ohms, 1/4 watt)	33-447154		Cabinet Back (PT-48)	27-9618
2	Antenna Transformer	32-3394	25	Resistor (180 ohms, 1/2 watt)	33-118336		Clip (Coil Mounting)	28-5002
3	Loop Antenna—Part of Cabinet and Loop Assy.		26	Tubular Condenser (.04 mf., 400 v.)	30-4119		Clip (Power)	L-3199
	PT-46	76-1015	27	Output Transformer			Cone Assembly	
	PT-48	76-1016		(for Speaker 36-1469-1)	32-8047		(for Speaker 36-1469-1)	36-4115
4	Tuning Condenser (PT-46 and PT-48)	31-2445		(for Speaker 36-1469-2)	32-8044		(for Speaker 36-1469-2)	36-4113
5	Padding Condenser	31-6344		(for Speaker 36-1469-9)	32-8044		(for Speaker 36-1469-2)	36-4132
6	Tubular Condenser (.1 mf., 200 v.)	30-4409	28	Speaker	36-1469		Dial	27-5570
7	Condenser & Choke Assy.	76-1019	29	Field Coil	Part of Speaker No. 36-1469		Dial Window	27-5472
8	Resistor (22,000 ohms, 1/4 watt)	33-322154	30	Electrolytic Condenser			Dial Drive Shaft	31-2370
9	Mica Condenser (110 mmf.)	30-1130		(20-20 mf., 150 v.)	30-2882		Dial Drive Cord	31-2358
10	Oscillator Transformer	32-3152	31	Line Resistor	33-3387		Knob (Tuning & Volume—PT-46)	27-4809
11	Tubular Condenser (.05 mf., 200 v.)	30-4519	32	Pilot Lamp	34-2088		Knob (Push-Button—PT-46)	27-4824
12	1st I. F. Transformer	32-3390	33	Tubular Condenser (.04 mf., 400 v.)	30-4119		Knob (Tuning and Volume)	27-4950
13	Resistor (22,000 ohms, 1/2 watt)	33-322334	34	Padding Condenser Strip	31-6324		Knob (Push-Buttons)	27-4952
14	2nd I. F. Transformer	32-3391	35	Push Button Switch	42-1485		Pointer	27-4891
15	Resistor (2.2 meg., 1/2 watt)	33-522154					Mounting Grommet	
16	Mica Condenser (250 mmf.)	61-0033					(Push-Buttons)	27-4596
17	Volume Control (500,000 ohms)	33-5306					Spring (Drive Cord)	28-8954
18	Resistor (47,000 ohms, 1/4 watt)	33-347154					Screw (Back Mounting)	W-2062
19	Mica Condenser (250 mmf.)	61-0033					Screw (Chassis Mounting)	W-2110
20	Tubular Condenser (.01 mf., 200 v.)	30-4479					Socket	27-6130
21	Resistor (4.7 meg., 1/4 watt)	33-547154					Snap Fastener	56-1387
22	Resistor (220,000 ohms, 1/4 watt)	33-422154					Tab (Dial)	27-5528
23	Tubular Condenser (.01 mf., 400 v.)	30-4572					Tab Kit	40-6474

MISCELLANEOUS PARTS

Baffle, Cloth and Felt Assembly	
(PT-46-48)	40-6528
Cabinet and Loop (PT-46)	76-1075
Cabinet Back (PT-46)	27-9617
Cabinet and Loop (PT-48)	76-1016